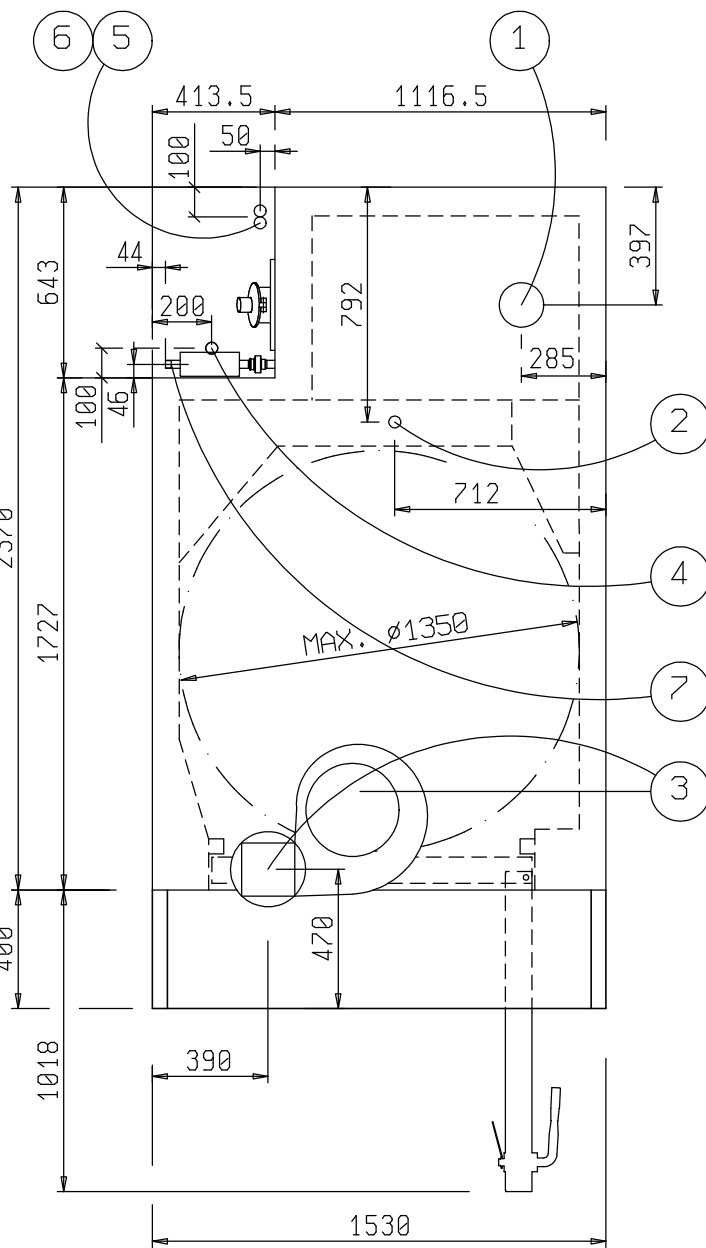
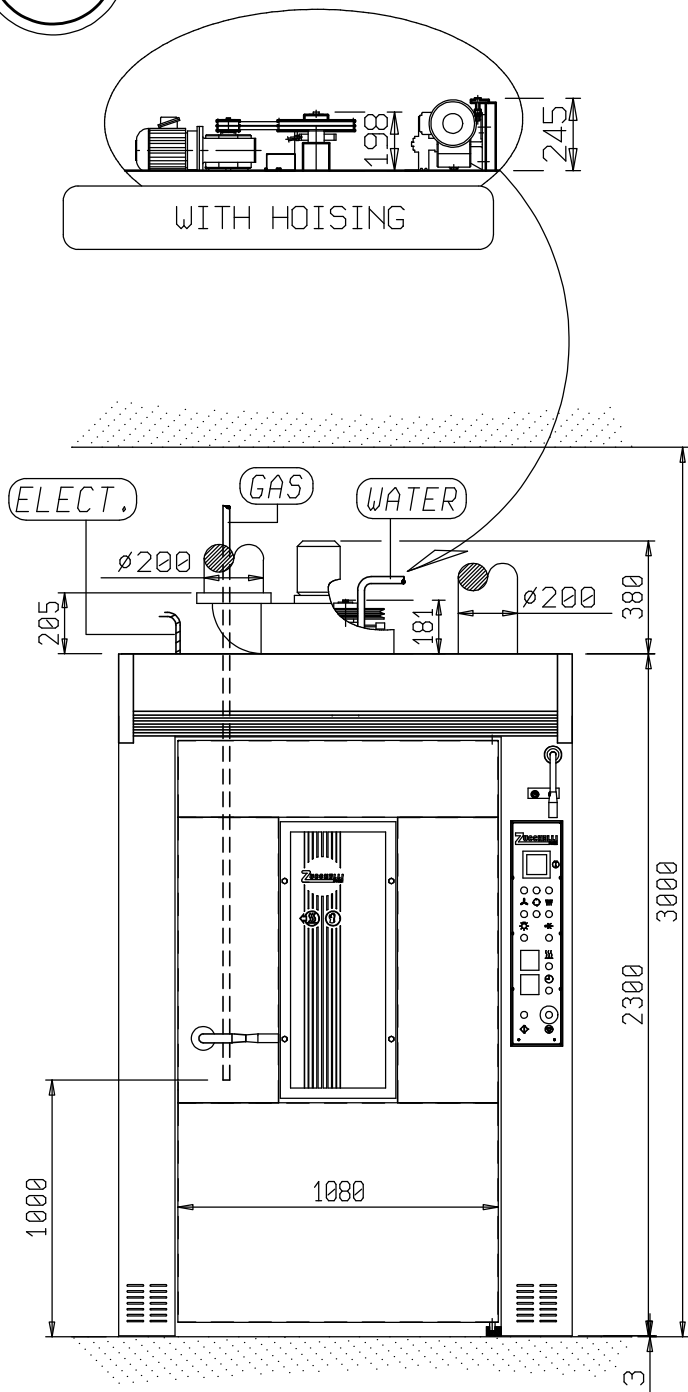





 Dekeghel nv
 Overnelleweg 29
 B-1740 Ternat
 Tel +32(0)24606022
 Fax +32(0)26692222
 www.dekeghel.be info@dekeghel.be



9	
8	
7	WATER DISCHARGE \varnothing 3/4"
6	BURNER SUPPLY OIL \varnothing 1/4"
5	BURNER SUPPLY GAS \varnothing 1"1/4"
4	ELECTRIC ENERGY ARRIVAL KW 3
3	STEAM EXHAUST PIPE \varnothing 200
2	STEAM GENERATOR WATER ARRIVAL \varnothing 1/2"
1	SMOKE EXHAUST PIPE \varnothing 200
POS.	DENOMINATION

WEIGHT Kg. 1400
 NOZZLE OIL GPH 2,5 A 60°
 NEEDED KCAL OVEN KCAL 80.000


TECHNICAL FEACTURES
ROTORFAN 4 80x100 FN42

BOLL. 361

DATA 01.10.02

VISTO .



DIS. 

DIS.N° POS.367

MINIMUM PASSAGE FOR DISSEMBLED OVEN 865x1530

DISEGNO DI PROPRIETA' RISERVATA E NON PUO' ESSERE RIPRODOTTO O MOSTRATO A TERZI AI SENSI DI LEGGE