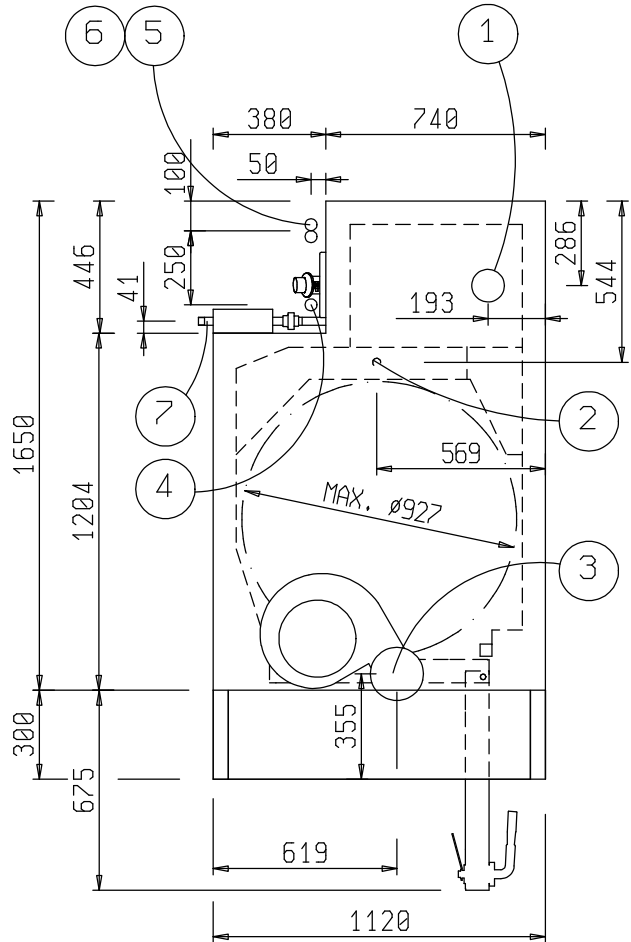
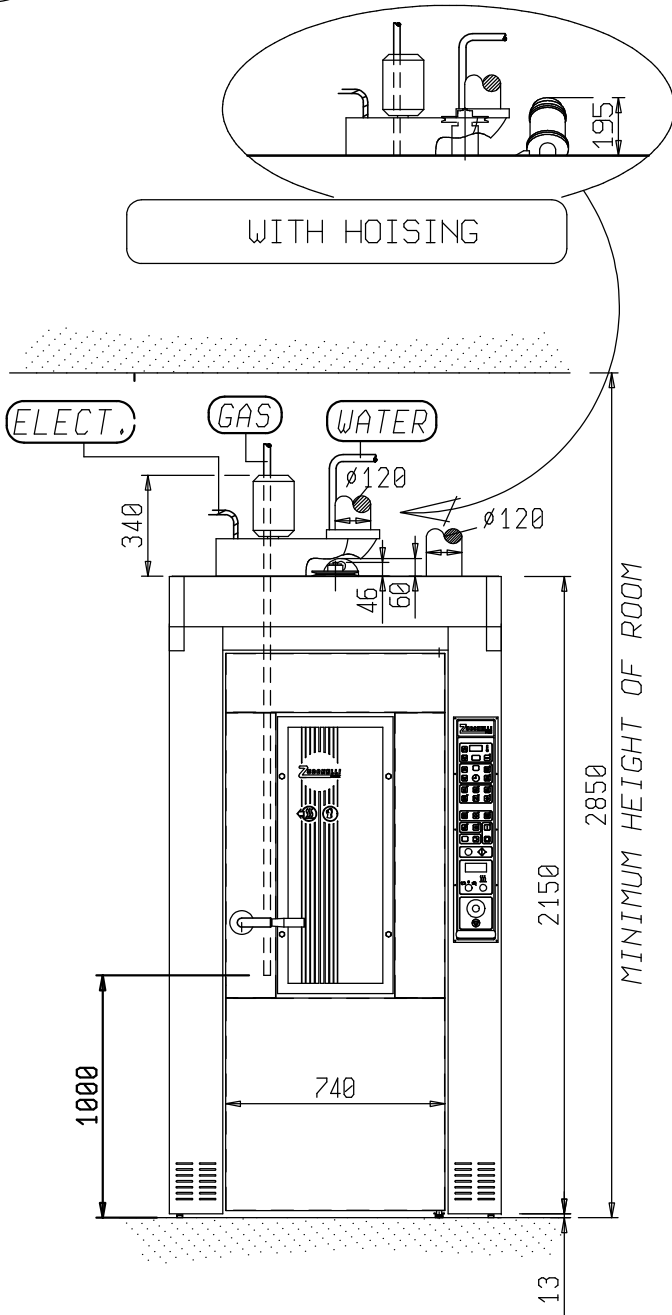




Dekeghel nv
 Overnelleweg 29
 B-1740 Ternat
 Tel +32(0)24606022
 Fax +32(0)26692222
 www.dekeghel.be info@dekeghel.be



TURNTABLE - HOOR

9		
8		
7	WATER DISCHARGE	$\varnothing 3/4"$
6	BURNER SUPPLY	OIL $\varnothing 3/8"$
5	BURNER SUPPLY	GAS $\varnothing 1 1/2"$
4	ELECTRIC ENERGY ARRIVAL	KW 1
3	STEAM EXHAUST PIPE	$\varnothing 120$
2	STEAM GENERATOR WATER ARRIVAL	$\varnothing 1/2"$
1	SMOKE EXHAUST PIPE	$\varnothing 120$
POS.	DENOMINATION	

WEIGHT Kg. 850
 NOZZLE OIL GPH 1,00 A 60°
 NEEDED KCAL OVEN 45.000

TECHNICAL FEACTURES
 ROTORFAN 50x70 FN50701

BOLL. 931 DATA 16.12.02 VISTO .

DIS. DIS.N° POS.373

DISEGNO DI PROPRIETA' RISERVATA E NON PUO' ESSERE RIPRODOTTO O MOSTRATO A TERZI AI SENSI DI LEGGE

MINIMUM PASSAGE FOR DISSEMBLED OVEN 855x1120