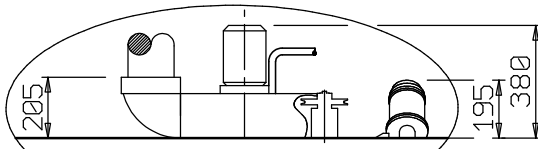
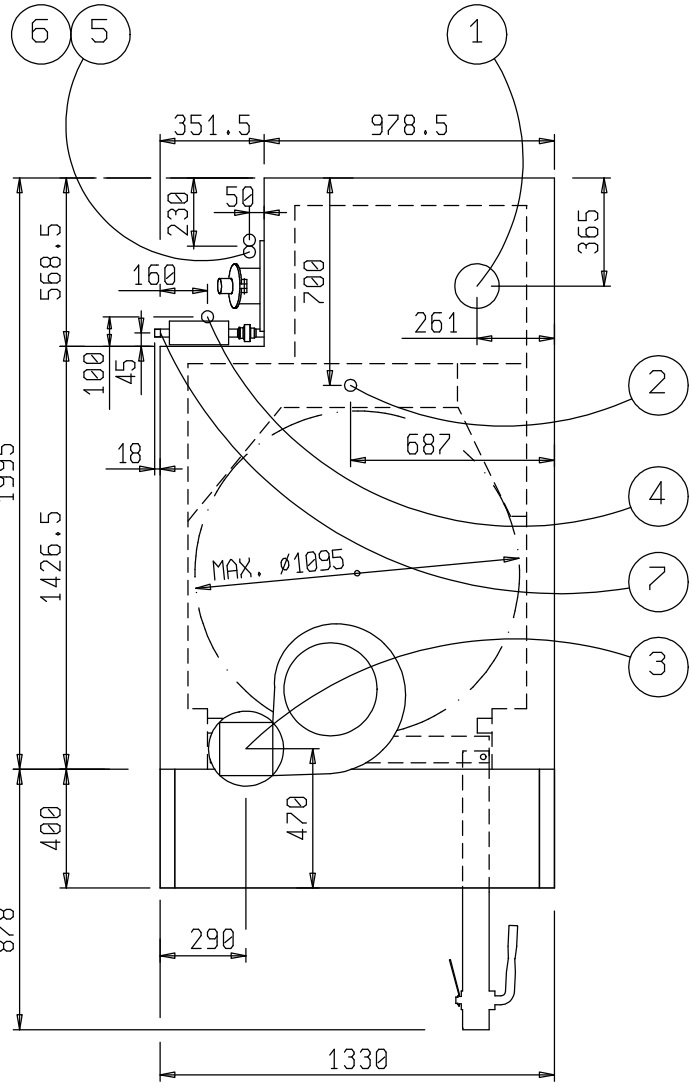
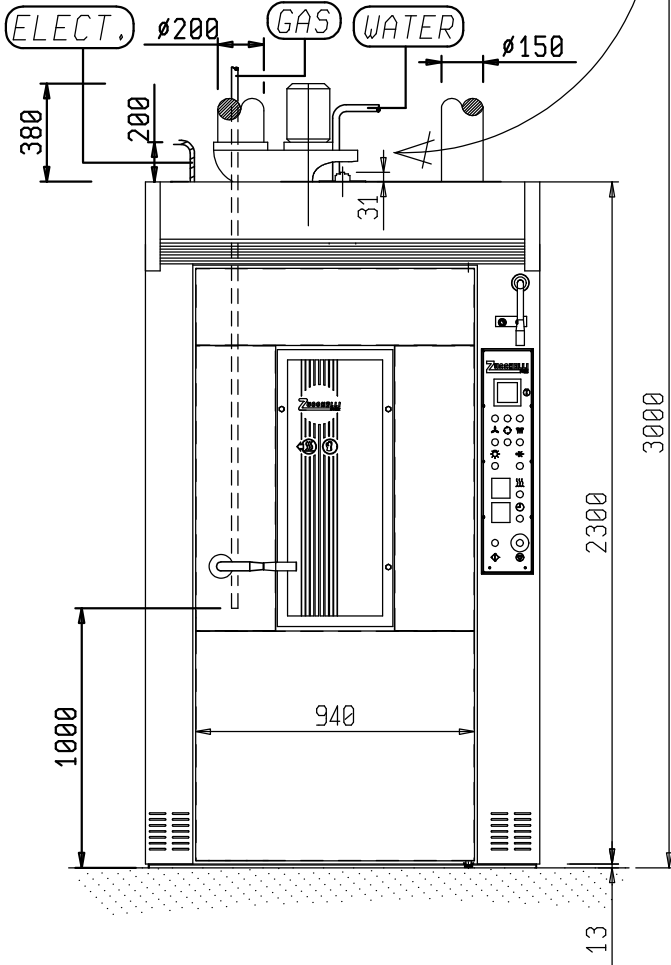




Dekeghel nv  
 Overnelleweg 29  
 B-1740 Ternat  
 Tel +32(0)24606022  
 Fax +32(0)26692222  
 www.dekeghel.be info@dekeghel.be



WITH HOISING



TURNTABLE - HOOH

9		
8		
7	WATER DISCHARGE	Ø 3/4"
6	BURNER SUPPLY OIL	Ø 1/4"
5	BURNER SUPPLY GAS	Ø 1" 1/4"
4	ELECTRIC ENERGY ARRIVAL	KW 1,5
3	STEAM EXHAUST PIPE	Ø200
2	STEAM GENERATOR WATER ARRIVAL	Ø1/2"
1	SMOKE EXHAUST PIPE	Ø150
<b>POS.</b>	<b>DENOMINATION</b>	

WEIGHT Kg. 1100  
 NOZZLE OIL GPH 1,75 A 60°  
 NEEDED KCAL OVEN 65.000

**TECHNICAL FEACTURES**  
**ROTORFAN 60x80 - FN60803**

BOLL. 931 DATA 02.04.02 VISTO .

DIS. DIS.N° POS. 345-1



DISEGNO DI PROPRIETA' RISERVATA E NON PUO' ESSERE RIPRODOTTO O MOSTRATO A TERZI AI SENSI DI LEGGE

MINIMUM PASSAGE FOR DISSEMBLED OVEN 760x1330