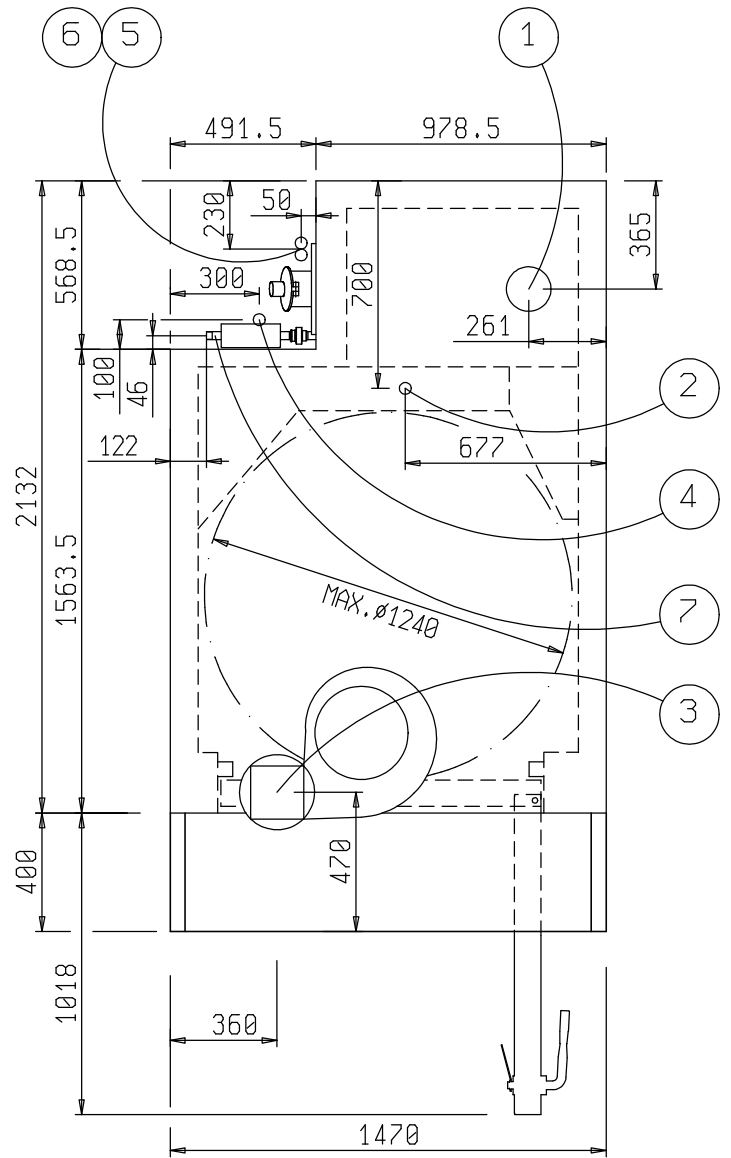
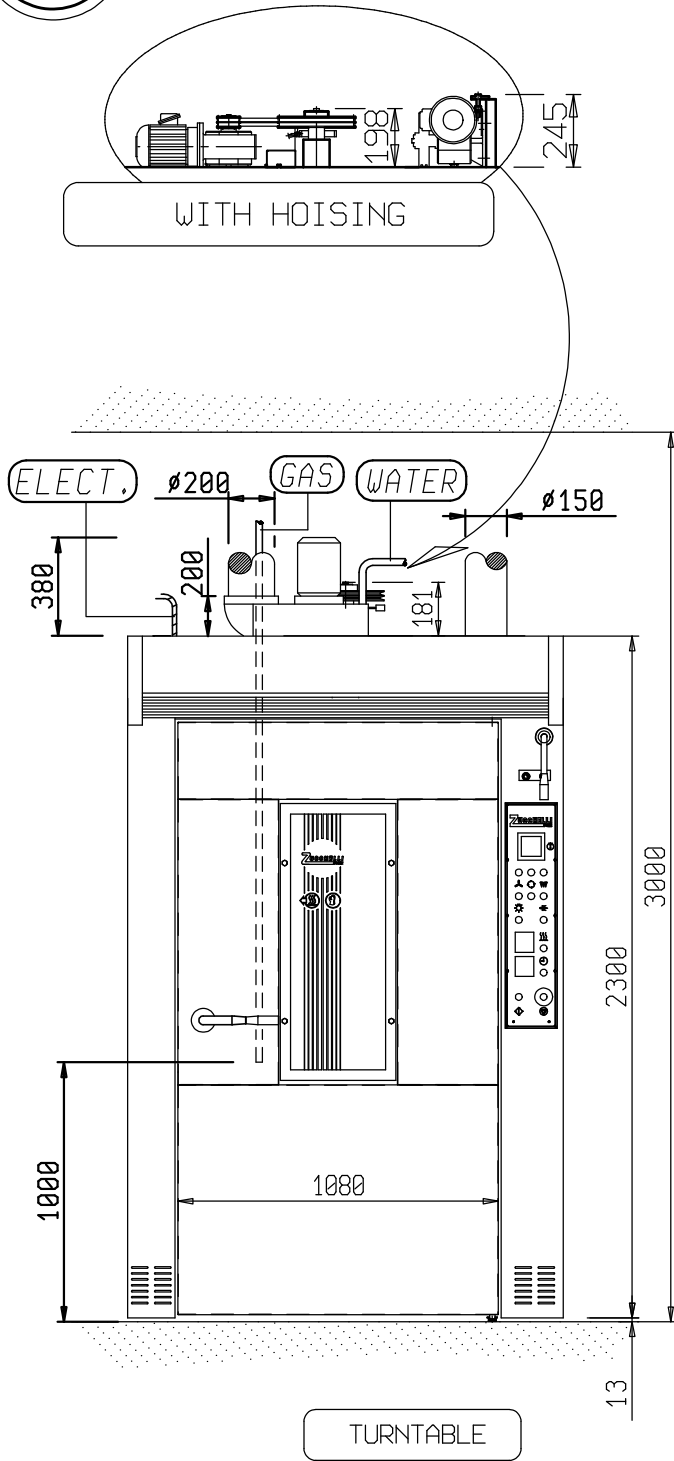




  
**DEKEGHEL**  
 Dekeghel nv  
 Overnelleweg 29  
 B-1740 Ternat  
 Tel +32(0)24606022  
 Fax +32(0)26692222  
 www.dekeghel.be info@dekeghel.be



9	
8	
7	WATER DISCHARGE $\phi 3/4"$
6	BURNER SUPPLY OIL $\phi 1/4"$
5	BURNER SUPPLY GAS $\phi 1"1/4"$
4	ELECTRIC ENERGY ARRIVAL KW 1,5
3	STEAM EXHAUST PIPE $\phi 200$
2	STEAM GENERATOR WATER ARRIVAL $\phi 1/2"$
1	SMOKE EXHAUST PIPE $\phi 150$
<b>POS.</b>	<b>DENOMINATION</b>

WEIGHT Kg. 1150  
 NOZZLE OIL GPH 1,75 A 60°  
 NEEDED KCAL OVEN 75.000


**TECHNICAL FEACTURES**  
**ROTORFAN 8/S 80x80 FN83**

BOLL. 931

DATA 07.03.02

VISTO .



DIS. 

DIS.N° POS.344-1

MINIMUM PASSAGE FOR DISSEMBLED OVEN 760x1450

DISEGNO DI PROPRIETA' RISERVATA E NON PUO' ESSERE RIPRODOTTO O MOSTRATO A TERZI AI SENSI DI LEGGE