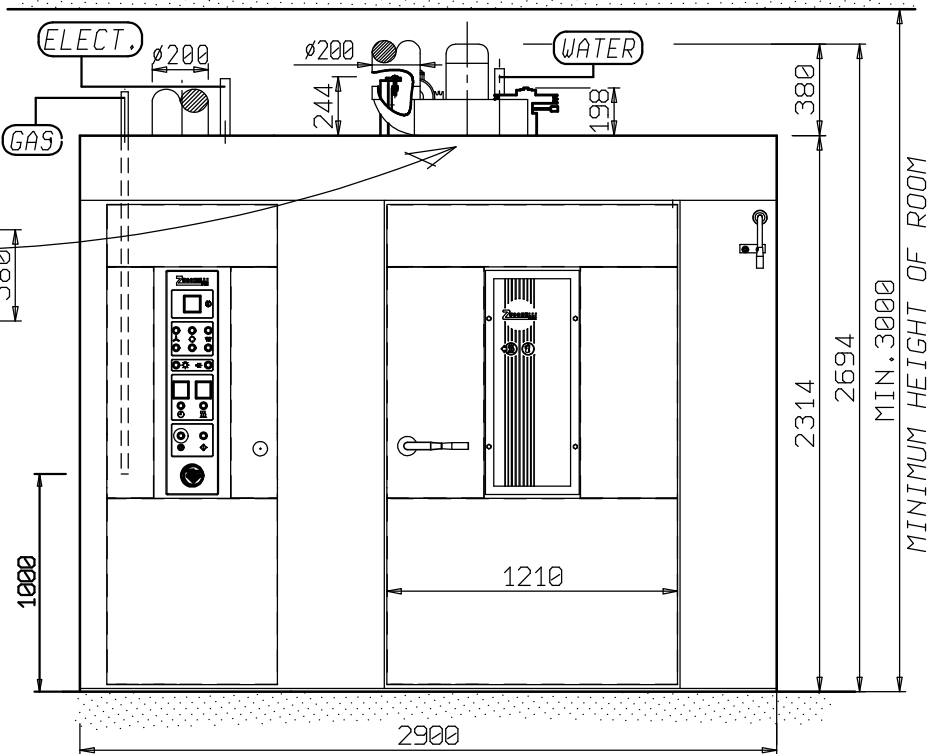
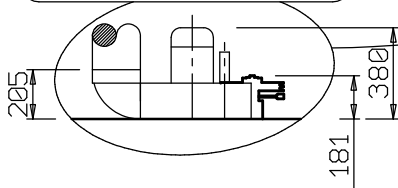
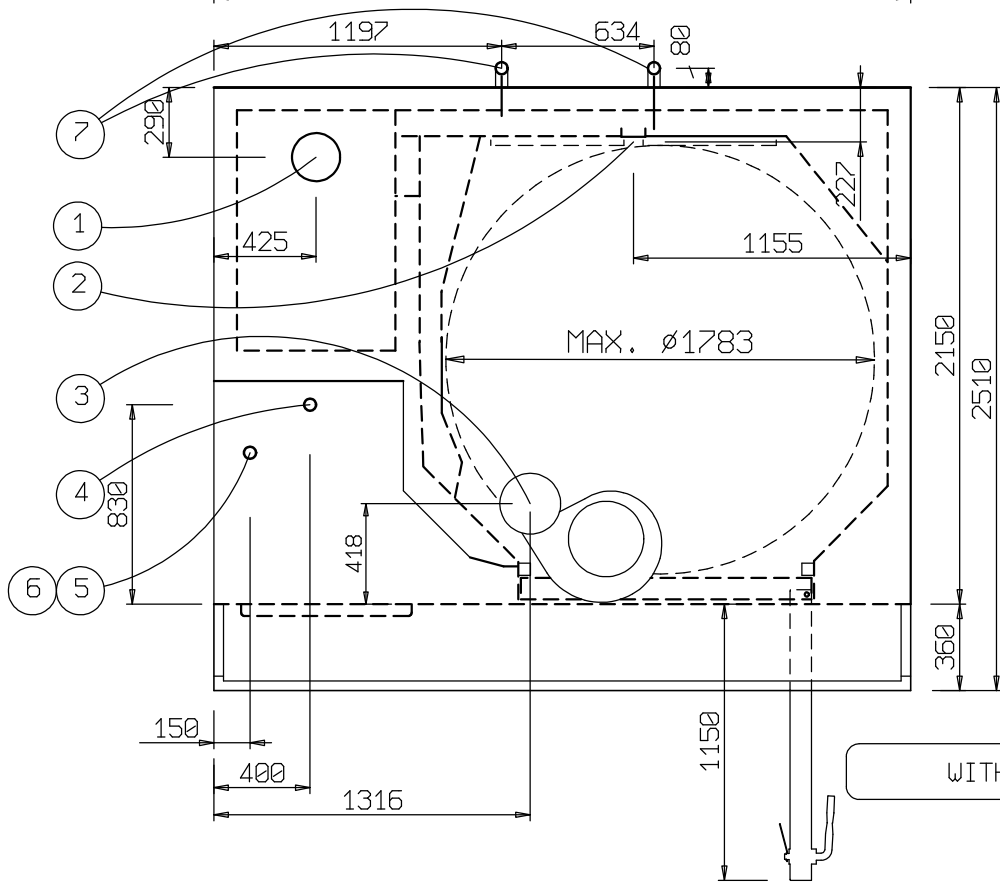


TURNTABLE




 Dekeghel nv
 Overnelleweg 29
 B-1740 Ternat
 Tel +32(0)24606022
 Fax +32(0)26692222
 www.dekeghel.be info@dekeghel.be




9		
8		
7	WATER DISCHARGE	Ø 1/2"
6	BURNER SUPPLY OIL	Ø 3/8"
5	BURNER SUPPLY GAS	Ø 1" 1/4
4	ELECTRIC ENERGY ARRIVAL	KW 4
3	STEAM EXHAUST PIPE	Ø200
2	STEAM GENERATOR WATER ARRIVAL	Ø1/2"
1	SMOKE EXHAUST PIPE	Ø200
POS.	DENOMINATION	

WEIGHT Kg. 2100
 NOZZLE OIL GPH 3 A 60°
 NEEDED KCAL OVEN 130.000

TECHNICAL FEACTURES
TOP ROTOR 1C/9 100x130 MXR1

BOLL. . DATA 15.05.03 VISTO .

DIS.  DIS.N° POS.398



DISEGNO DI PROPRIETA' RISERVATA E NON PUO' ESSERE RIPRODOTTO O MOSTRATO A TERZI AI SENSI DI LEGGE

MINIMUM PASSAGE FOR DISSEMBLED OVEN 2105x1101