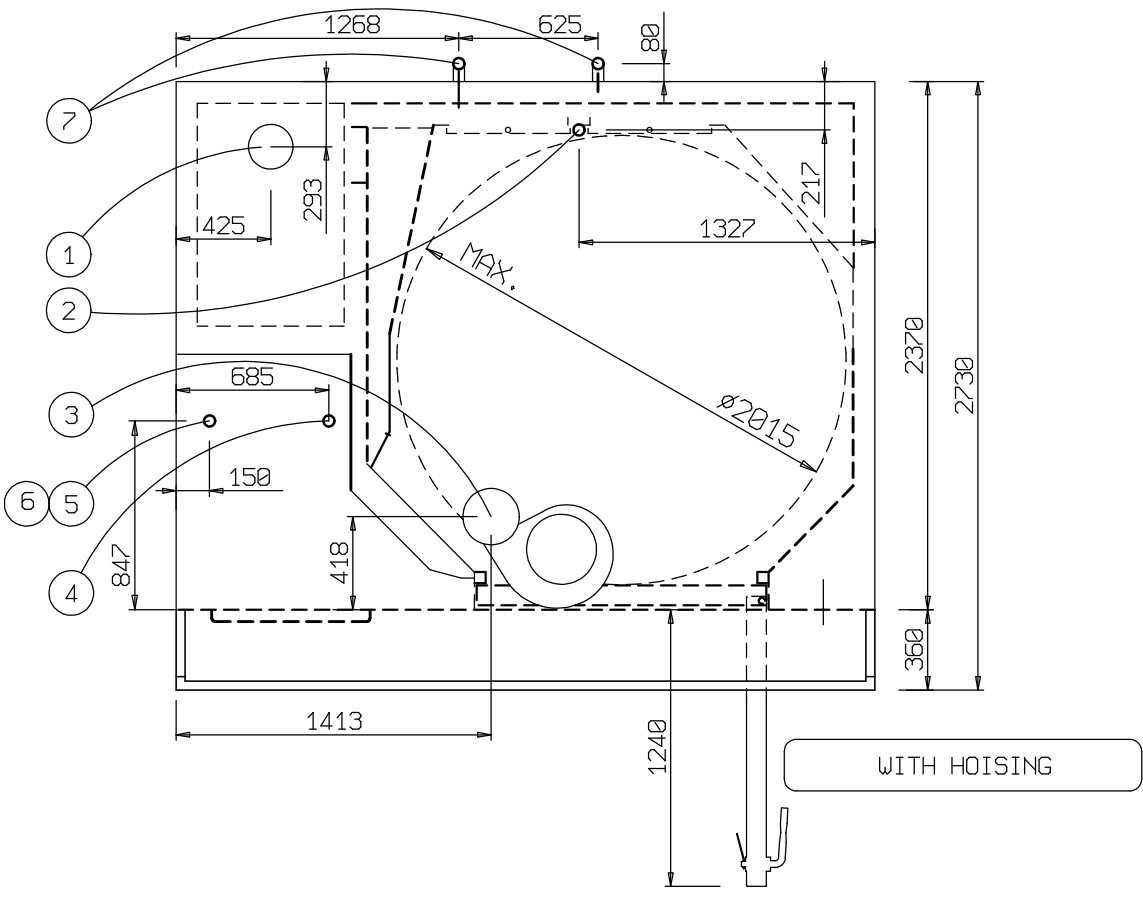



Dekeghel nv
 Overnelleweg 29
 B-1740 Ternat
 Tel +32(0)24606022
 Fax +32(0)26692222
 www.dekeghel.be info@dekeghel.be




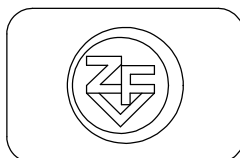
POS.	DENOMINATION	
9		
8		
7	WATER DISCHARGE	∅ 1/2"
6	BURNER SUPPLY OIL	∅ 3/8"
5	BURNER SUPPLY GAS	∅ 1" 1/2
4	ELECTRIC ENERGY ARRIVAL	KW 4
3	STEAM EXHAUST PIPE	∅ 200
2	STEAM GENERATOR WATER ARRIVAL	∅ 1/2"
1	SMOKE EXHAUST PIPE	∅ 200

WEIGHT Kg. 2200
 NOZZLE OIL GPH 4 A 60°
 NEEDED KCAL OVEN 140.000

TECHNICAL FEACTURES
TOP ROTOR 1C/8 100x150 MXR3

BOLL. . DATA 15.05.03 VISTO .

DIS.  DIS.N° POS.399



DISEGNO DI PROPRIETA' RISERVATA E NON PUO' ESSERE RIPRODOTTO O MOSTRATO A TERZI AI SENSI DI LEGGE

MINIMUM PASSAGE FOR DISSEMBLED OVEN 2340x1230