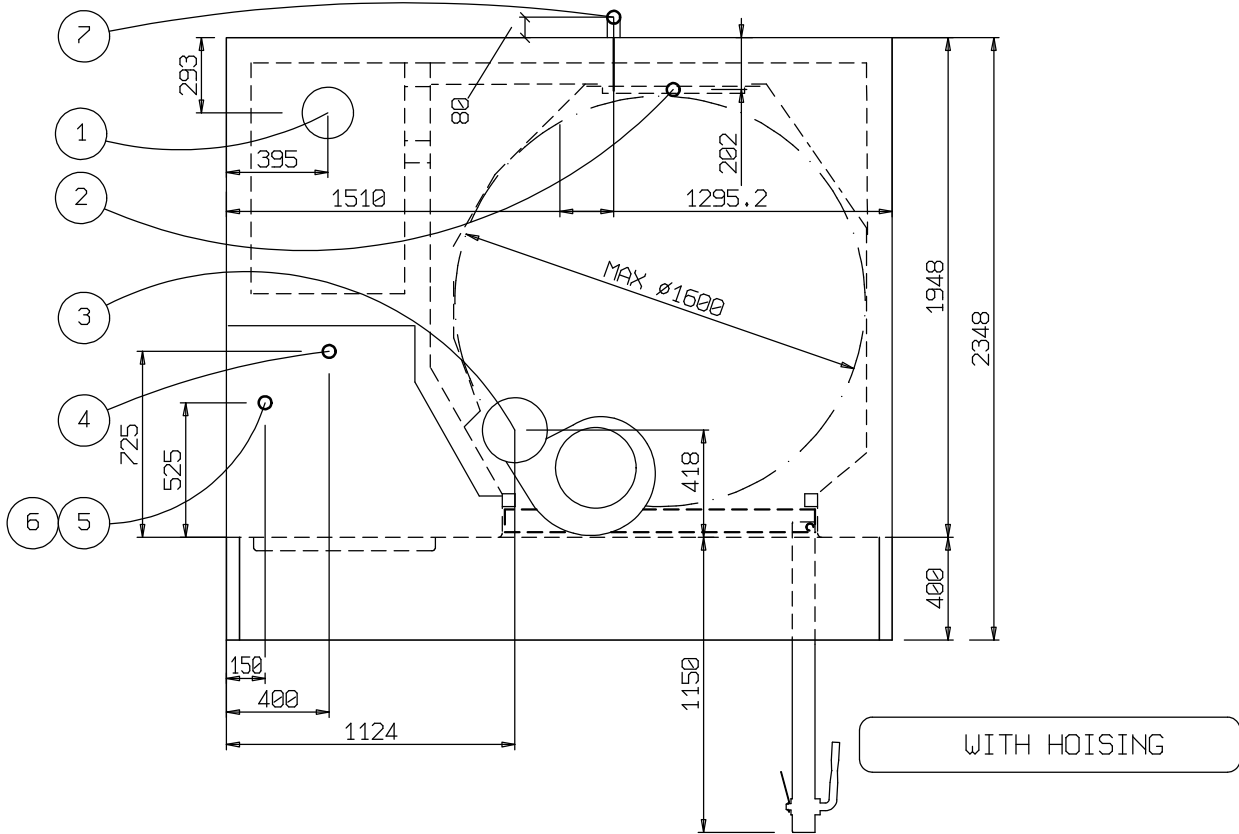


Dekeghel nv
Overnelleweg 29
B-1740 Ternat
Tel +32(0)24606022
Fax +32(0)26692222
info@dekeghel.be



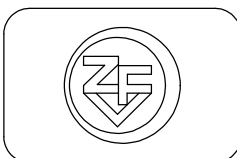
9		
8		
7	WATER DISCHARGE	ø 1/2"
6	BURNER SUPPLY OIL	ø 3/8"
5	BURNER SUPPLY GAS	ø 1" 1/4
4	ELECTRIC ENERGY ARRIVAL	KW 3
3	STEAM EXHAUST PIPE	ø200
2	STEAM GENERATOR WATER ARRIVAL	ø1/2"
1	SMOKE EXHAUST PIPE	ø200
POS.	DENOMINATION	

WEIGHT Kg. 2000
NOZZLE OIL GPH 2,5 A 60°
NEEDED KCAL OVEN 120.000

TECHNICAL FEACTURES
TOP ROTOR 1C/7 80x120 MXR2

BOLL. . DATA 18.04.03 VISTO .

DIS. . DIS.N° POS.396



DISEGNO DI PROPRIETA' RISERVATA E NON PUO' ESSERE RIPRODOTTO O MOSTRATO A TERZI AI SENSI DI LEGGE

MINIMUM PASSAGE FOR DISSEMBLED OVEN 998x1860