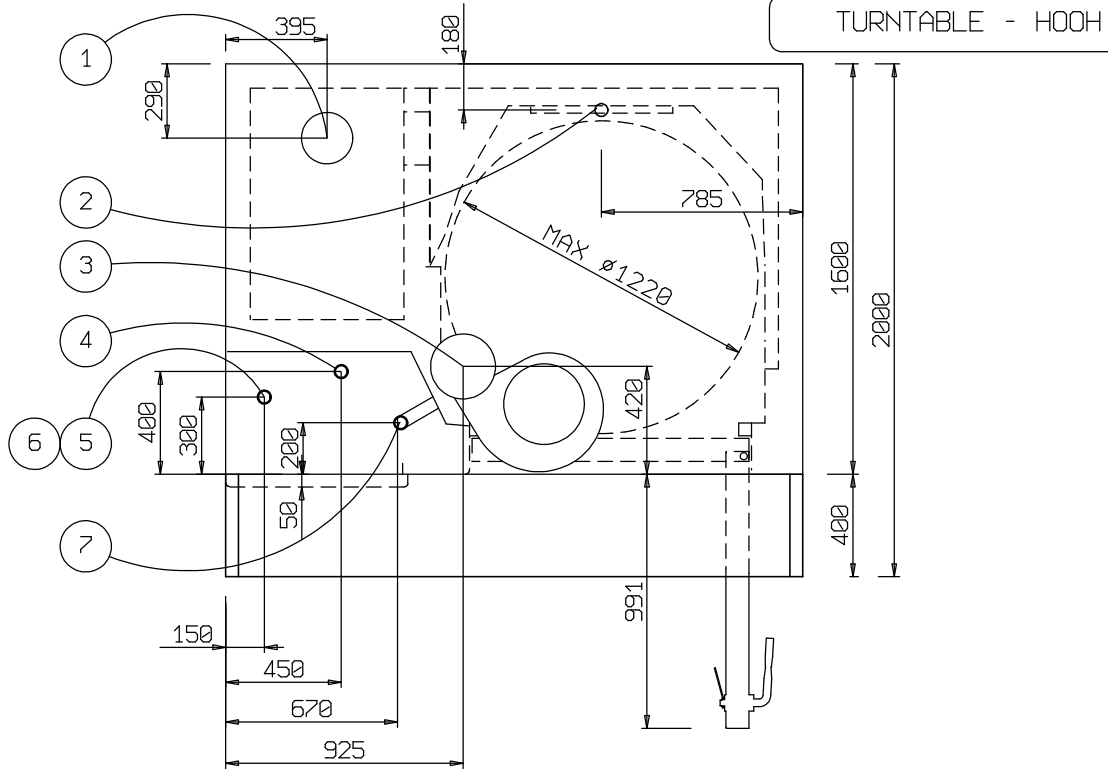


DEKEGHEL
www.dekeghel.be

Dekeghel nv
Overnelleweg 29
B-1740 Ternat
Tel +32(0)24606022
Fax +32(0)26692222
info@dekeghel.be



9		
8		
7	WATER DISCHARGE	Ø 1/2"
6	BURNER SUPPLY OIL	Ø 3/8"
5	BURNER SUPPLY GAS	Ø 1" 1/4"
4	ELECTRIC ENERGY ARRIVAL	KW 3
3	STEAM EXHAUST PIPE	Ø200
2	STEAM GENERATOR WATER ARRIVAL	Ø1/2"
1	SMOKE EXHAUST PIPE	Ø200
POS.	DENOMINATION	

WEIGHT Kg. 1450
NOZZLE OIL GPH 1,5 A 60°
NEEDED KCAL OVEN 75.000

TECHNICAL FEACTURES
TOP ROTOR 1C 80x80 RN2

BOLL. .

DATA 17.04.03

VISTO .

DIS. .

DIS. N° *[Signature]*

POS. 394



DISEGNO DI PROPRIETA' RISERVATA E NON PUO' ESSERE RIPRODOTTO O MOSTRATO A TERZI AI SENSI DI LEGGE

MINIMUM PASSAGE FOR DISSEMBLED OVEN 820x1515