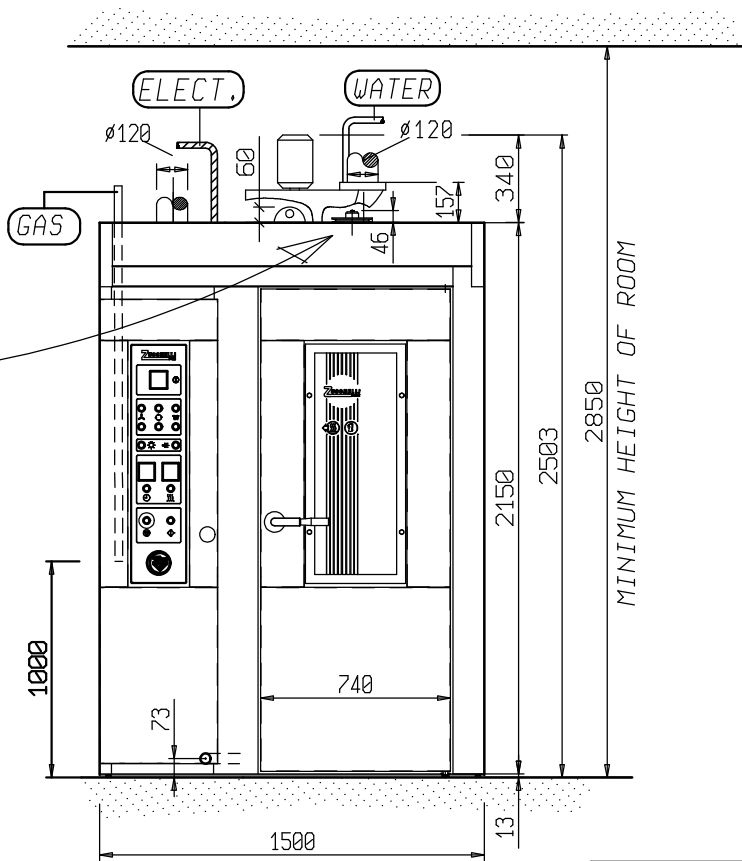
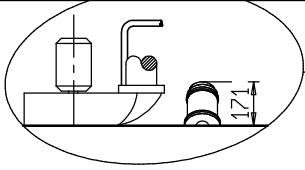


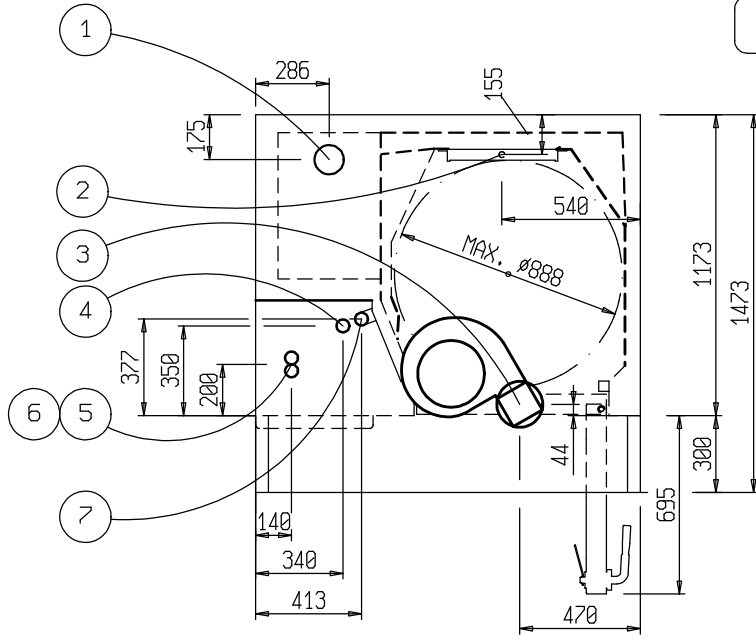
WITH HOISING



DEKEGHEL
www.dekeghel.be

Dekeghel nv
Overnelleweg 29
B-1740 Ternat
Tel +32(0)24606022
Fax +32(0)26692222
info@dekeghel.be

TURNTABLE - HOOH



| | |
|-------------|--|
| 9 | |
| 8 | |
| 7 | WATER DISCHARGE \varnothing 1/2" |
| 6 | BURNER SUPPLY OIL \varnothing 3/8" |
| 5 | BURNER SUPPLY GAS \varnothing 1" |
| 4 | ELECTRIC ENERGY ARRIVAL KW 1 |
| 3 | STEAM EXHAUST PIPE \varnothing 120 |
| 2 | STEAM GENERATOR WATER ARRIVAL \varnothing 1/2" |
| 1 | SMOKE EXHAUST PIPE \varnothing 120 |
| POS. | DENOMINATION |

WEIGHT Kg. 770
 NOZZLE OIL GPH 1 A 60°
 NEEDED KCAL OVEN 40.000

TECHNICAL FEACTURES
TOP FALCON 50x70 MR9

BOLL. .

DATA 22.05.03

VISTO .

.

DIS.

DIS.N° POS.407



DISEGNO DI PROPRIETA' RISERVATA E NON PUO' ESSERE RIPRODOTTO O MOSTRATO A TERZI AI SENSI DI LEGGE

MINIMUM PASSAGE FOR DISSEMBLED OVEN 713x1500