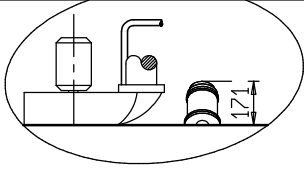
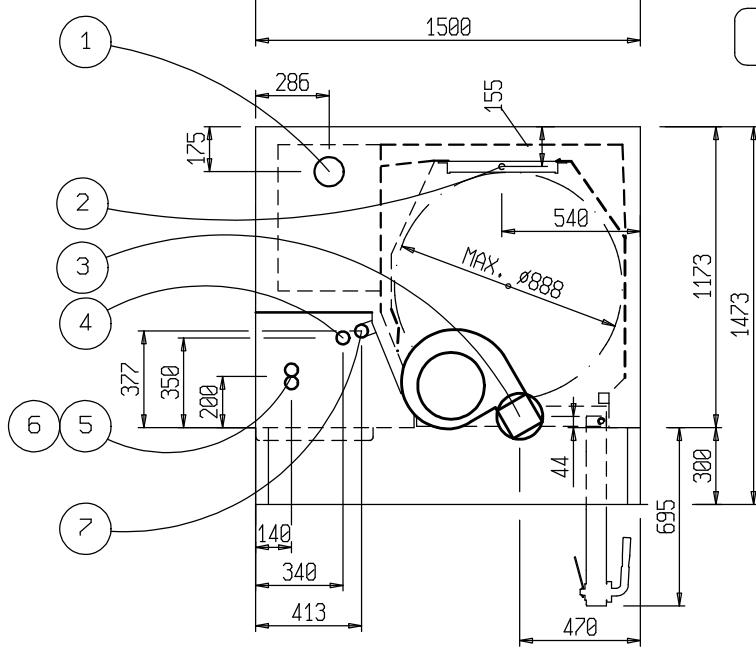
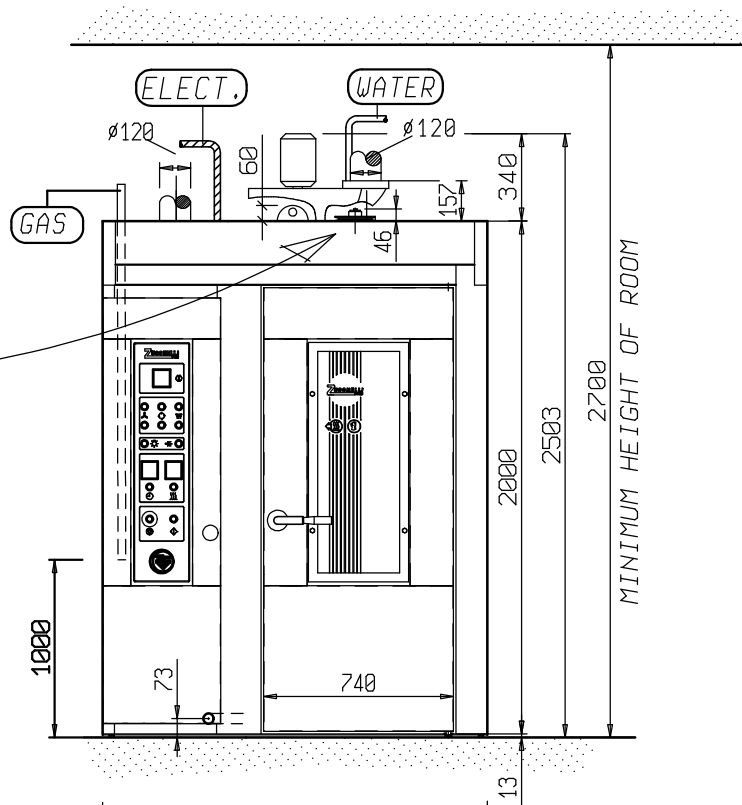


WITH HOISING



www.dekeghel.be

Dekeghel nv
Overnelleweg 29
B-1740 Ternat
Tel +32(0)24606022
Fax +32(0)26692222
info@dekeghel.be



TURNTABLE - HOOD

9		
8		
7	WATER DISCHARGE	∅ 1/2"
6	BURNER SUPPLY OIL	∅ 3/8"
5	BURNER SUPPLY GAS	∅ 1"
4	ELECTRIC ENERGY ARRIVAL	KW 1
3	STEAM EXHAUST PIPE	∅ 120
2	STEAM GENERATOR WATER ARRIVAL	∅ 1/2"
1	SMOKE EXHAUST PIPE	∅ 120
POS.	DENOMINATION	

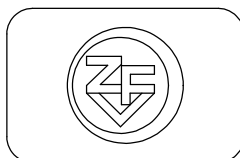
WEIGHT Kg. 700
NOZZLE OIL GPH 0,75 A 60°
NEEDED KCAL OVEN 35.000

TECHNICAL FEACTURES
TOP MINIFALCON 50x70 MR8

BOLL.

DATA 23.05.03

VISTO



DIS.

DIS.N° POS.408

MINIMUM PASSAGE FOR DISSEMBLED OVEN 713x1500

DISEGNO DI PROPRIETA' RISERVATA E NON PUO' ESSERE RIPRODOTTO O MOSTRATO A TERZI AI SENSI DI LEGGE